

practico

The practical

A program that spells service. The practico concept does more than usual to comply with the needs of modern care; despite this, the atmosphere is still homely. It reflects naturalness and warmth, from the different wooden borders to full panelling for the castors.







practico

The practical type

In any position, the practico bed is extremely stable. It is based on a new dual-column telescopic lift and is ready to move at any height. This makes work a good bit easier for care staff.

Naturally, top practico comfort also includes lowered head and leg positions as well as a comfortable sitting position. A furniture line that offers an ideal combination of convenience for nursing care and lying comfort.



Model with open castors and central braking

Specifications – practico

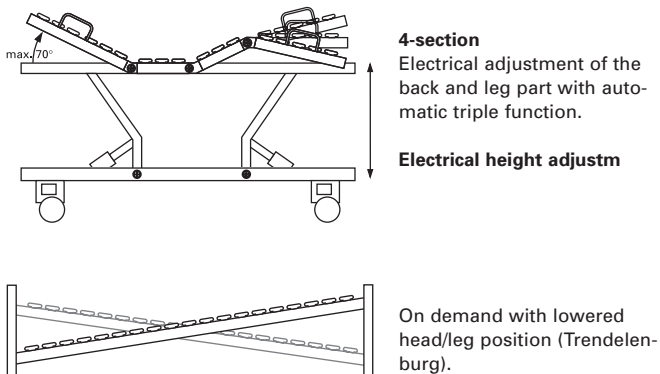
Total weight:	140 kg
External dimension:	105 x 210 cm
Safe capacity::	220 kg
Maximum person weight::	185 kg
Height adjustment:	38 – 81 cm
Lifter space:	15 cm
Side rail height:	39 cm with wooden slats 34 cm with ripolux®
Dimension of lying surface:	90 x 200 cm
Special sizes:	100 cm width, 180 – 220 cm length

Motors	Water-resistant to IPX4, high-grade anti-kink , pull relief and anti-kink protection, fuse in the mains plug and emergency lowering device.
---------------	---

Variations of equipment

End panels	Typ I / II / III / V / VI / VII / VIII
Side rails	continuous wooden side rails splitted woode side rails

Subject to technical modification.



Extras:

You can find descriptions of the accessories on page 46 – 47.

Roll-down mattress for lie low bed	
Lifting pole with triangle grip	◦
Grab rail	◦
Raised leg position 90°	◦
Raised leg position stretched	◦
Bed lamp model D	◦
Bed lamp model E	◦
Bed extension for the length of 220 cm	◦
Wooden slats with degree of tension	•
Deposit for the bed clothes	◦
Infusion holder for lifting pole	◦
Infusion holder double (fixed)	◦
Infusion holder quadruple (telescopic)	◦
Integrated wooden side rails	•
Mattresses	◦
Mattress compensation	◦
Mattress extension for a length of 220 cm	◦
Mechanical bed version	◦
Integrated head rest for 5-section lying surface	◦
Low entrance height	◦
Bumpers for side rail attachment	◦
Bumpers for side rails	◦
ripolux®- lying surface	◦
rioplan- lying surface	◦
Covering panel of the lying surface frame	•
Side rail attachment	◦
Side rails in special height *	◦
Long splitted side rails	◦
Short splitted side rails	◦
Special width/length	◦
Control box and hand control for Trendelenburg	◦
Individual disabling function	◦
Special mattresses	◦
Steel lying surface	◦
Transport and storage system	◦
Universal clamp with modular accessories	◦
Lower leg part with manual adjustment (raster)	◦
Wall protection roll (vertical/horizontal)	◦
Wall protection roll (gummed)	◦
Wall protection buffer head part/ lateral	◦
Central braking	•

• Standard ◦ Extras

* not possible with splitted side rails

Safety guarantees

- Mains isolation system
- Primary fuse in the power plug
- Secondary fuse/polyswitch
- Thermal release
- Disabling function
- Hand control with single fault safety
- Special spiral mains cable
- Pull relief at the mains cable with anti-kink protection
- Water-resistant to IPX4
- Distortion-free, highly stable side rails